

EN700 USB-ETHERNET HUB



The BrightSign EN700 USB-Ethernet Hub is the ideal accessory for connecting and controlling a multitude of USB and Ethernet over USB connected devices with a single BrightSign player. It can also be a useful way to provide a wired network connection to a device that lacks an Ethernet port. The Ethernet over USB connected devices can be controlled by BrightSign players with Rest APIs or UDP commands. This hub is supported on BrightSign Series 3 and 4 players that have a USB port and includes an external locking power supply.



MSRP \$120

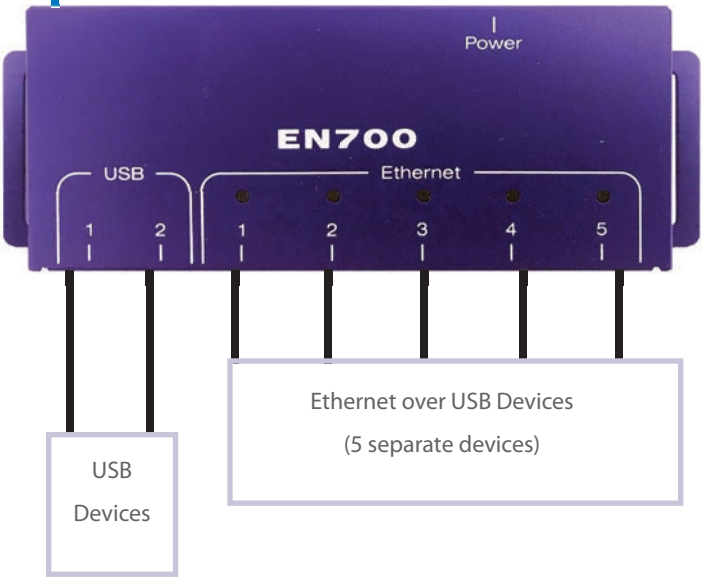
SPECIFICATIONS	EN700
Power Requirements	12V/1.5A
Locking Power Supply	Included
Power to each USB port	5V/1A
Connection to BrightSign Player	USB A
USB Host Ports	2 x USB A (high-speed 480 Mbit)
Fixed USB Enumeration	✓
Ethernet over USB Ports	5 x micro-USB
Ethernet LED Indicators	5
Environmental	0-40 C at 90% relative humidity
Size (w x h x d)	145.8mm x 27.9mm x 48.40 mm
Supported BrightSign Models	Series 3 & 4 players with an existing USB port
MSRP Single Device Pricing	\$120

Availability

Single units available, 15-week lead time on volume orders



BrightSign Player



NOTES:

- USB devices can include a BrightSign Mobile USB modem or any USB device
- Ethernet over USB devices are required to have a Realtek RTL8152 driver installed
- Locking power supply included
- Please contact jduval@brightsign.biz for more information